



# DECOCLEAN

SMOOTH PROTECTION AND COVERING PANEL - 2 MM



## APPLICATIONS

This wall protection has been especially developed for areas exposed to a high risk of infection in order to help in the fight against in-hospital illnesses and to reduce bacterial proliferation.

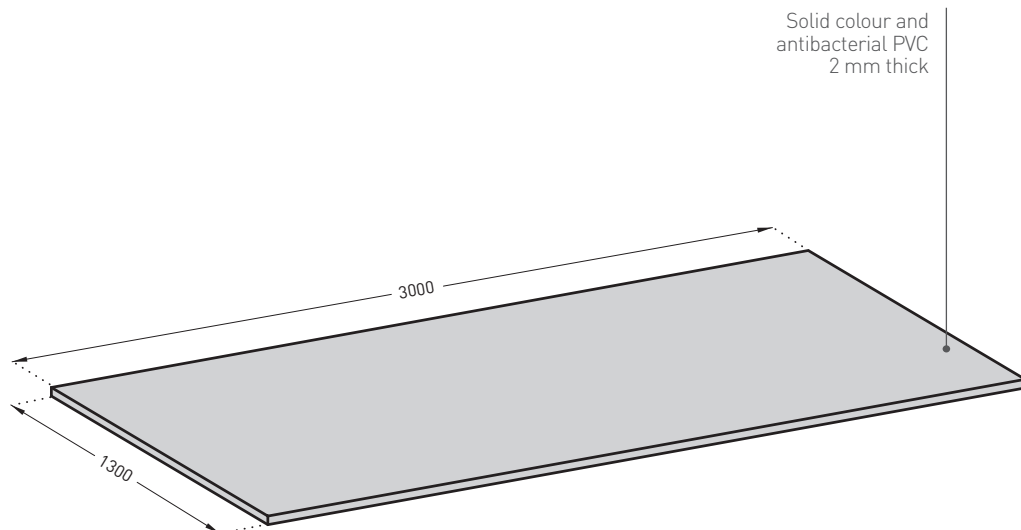
It is recommended for:

- Operating theatres,
- Intensive care, transplant and serious burns wards,
- Neonatology,
- Central sterilisation,
- All high infection risk areas, including those at Level 4 on the Pasteur scale (France).

The product can be thermoformed for use on round pillars (diameter under 800 mm) and to ensure a perfect hygiene in the angles.

## DESCRIPTION

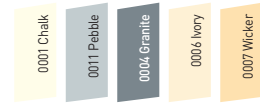
- Model: Decoclean smooth protection and covering panel
- Standard dimensions: 3 m x 1.30 m
- Custom options: cutting to size, bend into L/U, thermoforming, chamfer
- Thickness: 2 mm
- Material: antibacterial and Bs2d0 fire-rated PVC, solid colour
- Surface finish: smooth
- Fixing: adhesive bonding with SPM acrylic glue or SPM multipurpose adhesive sealant. Joints between panels can be made using silicone joints or PVC welding rods, colour matched to the range
- Colours: 5



## FOR AN IMPECCABLE FINISH:

- Silicone joints
- Welding rods

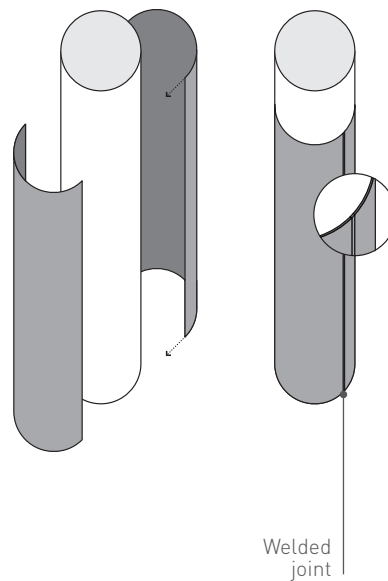
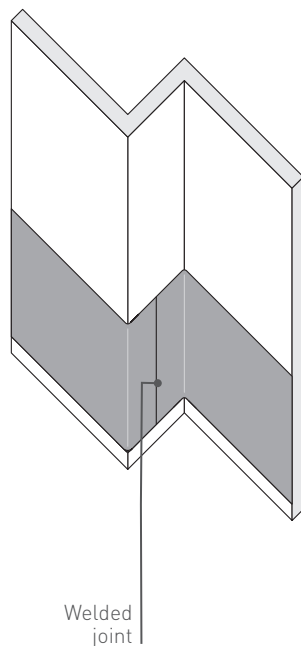
Colour coordinated with the panels



Colours available per product: please see the colour summary hinge

## SPECIFICATION

- Description: smooth protection and covering panel (Decoclean as manufactured by SPM) from rigid and antibacterial PVC achieving Bs2d0 reaction to fire classification with solid colour and smooth surface. 3.00 m long, 1.30 m high, 2 mm thick. A protective film is specified to minimise cleaning before acceptance.
- The level required for biocleaning should be validated for very high infectious risk areas such as operating theatres (*sector 4 according to the Pasteur Institute of Lille France*). The chemical and mark resistance should have been proved on the usual cleaning products according to NF EN ISO 26987. The ease of nuclear decontamination according to DIN 25415 / ISO 8690 should be excellent. For installation in areas where the particle contamination have to be mastered, the ISO Class 5 certification is required according the ISO 14644-1 standard.
- Environment: no heavy metals and no substance potentially subjected to any REACH restriction are used in its manufacture, nor PBT/BPA. The calcium-zinc thermal stabilisation process is used. The emission level of volatile substance in inside air has been tested according to ISO 16000-6 and is very low (A+) according to the French regulation (23 March 2011 nr 2011-321 Decree and 19 April 2011 Order). 100% of the product are recyclable.
- Colour: selected by architects from manufacturer's standard range.
- Installation method: glue as per manufacturer's instructions.



Specifications and section drawings on our website [www.spm-international.com](http://www.spm-international.com)



**bimobject** BimObject in Revit and Archicad